

STAINLESS STEEL MOTOR

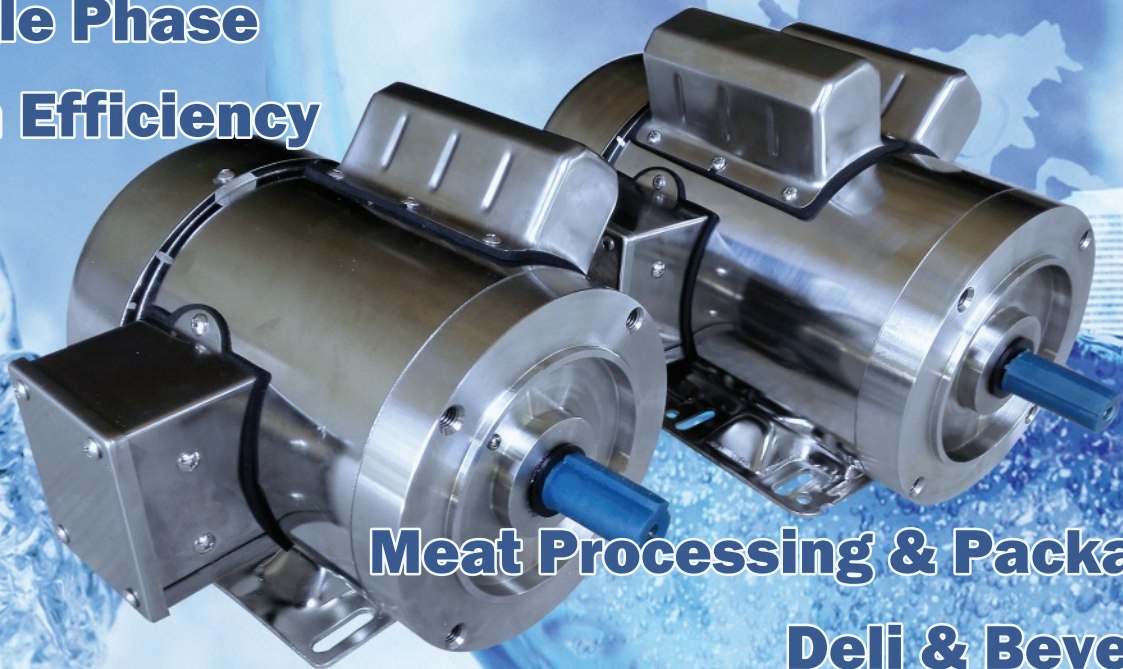
GATOR[®]

All Stainless Steel

Washdown Duty Motor

Single Phase

High Efficiency



Meat Processing & Packaging

Deli & Beverage

Pharmaceutical

Food Industry

Single Phase Stainless Steel Motors



CONNEX ELECTRIC MOTORS

Division of Connex Ind. Corp.

4975 Avalon Ridge Parkway, Suite 200
Norcross, GA 30071, USA



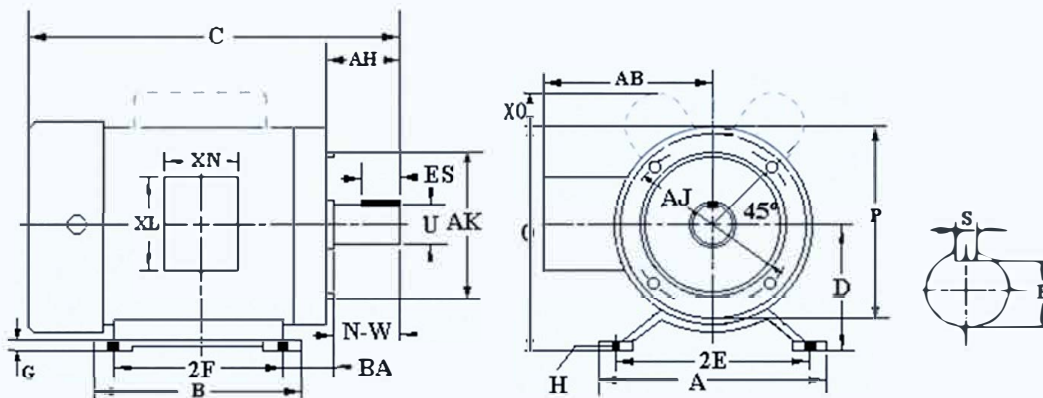


PERFORMANCE DATA

Single Phase, 60Hz, 115V/230V, NEMA Design B, High Efficiency

TEFC, Class F Insulation, 40°C Ambient, Continuous Duty, 1.15 Service Factor. Foot Mount & Round Body

HP	Frame	Full Load RPM	Efficiency %	Power Factor	Full Load Amps	Locked Rotor Amps	LRT/TN	BRT/TN	TYPE	C Dim in inches	Approx Weight (lbs)	Enclos.
1/3	56C	1725	64.0	0.58	6.6/3.3	27.4/16.3	3.61	3.06	CSIR	12.3	26	TEFC
1/2	56C	1725	64.0	0.56	8.8/4.2	40.5/23.4	3.18	3.05	CSIR	12.3	28	TEFC
3/4	56C	1725	66.0	0.64	11.0/5.5	51.8/29.6	2.6	2.46	CSIR	12.3	32	TEFC
1	56C	1725	68.0	0.64	13.6/6.8	75.5/43.6	2.78	2.73	CSIR	13.1	37	TEFC
1 1/2	56C	1725	74.0	0.87	15.2/7.6	103/57	2.09	2.83	CSCR	13.8	41	TEFC
2	56C	1725	75.5	0.83	20.0/10.0	142/81	2.12	2.72	CSCR	14.6	47	TEFC
1/3	56C	1725	64.0	0.58	6.6/3.3	27.4/16.3	3.61	3.06	CSIR	12.3	25	ODP
1/2	56C	1725	64.0	0.56	8.8/4.2	40.5/23.4	3.18	3.05	CSIR	12.3	27	ODP
3/4	56C	1725	66.0	0.64	11.0/5.5	51.8/29.6	2.6	2.46	CSIR	12.3	31	ODP
1	56C	1725	68.0	0.64	13.6/6.8	75.5/43.6	2.78	2.73	CSIR	13.1	36	ODP
1 1/2	56C	1725	74.0	0.87	15.2/7.6	103/57	2.09	2.83	CSCR	13.8	40	ODP
2	56C	1725	75.5	0.83	20.0/10.0	142/81	2.12	2.72	CSCR	14.6	46	ODP



DIMENSIONAL DATA

Frame	Mounting						Conduit Box				Motor Dimension							Keyseat			Bearings		Enclos.	
	D	E	2F	A	B	BA	H	AB	XL	XN	AH	AJ	AK	P	O	XO	N-W	U	R	S	KEY	ODE		DE
56C	3.5	2.4	3.0	6.5	6.5	2.75	1.22X.34	5.630	3.78	3.31	1.88	5.875	4.5	7.44	6.5	7.25	1.88	0.625	0.516	0.188	1.42	6203	6203	TEFC